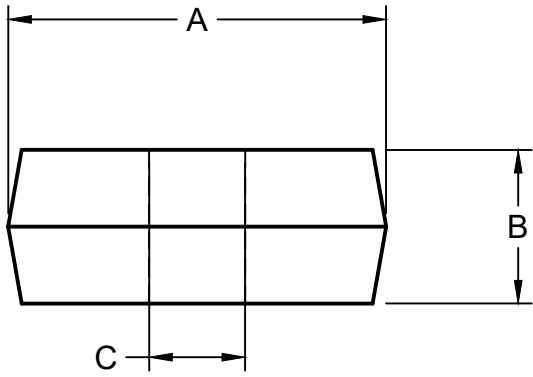
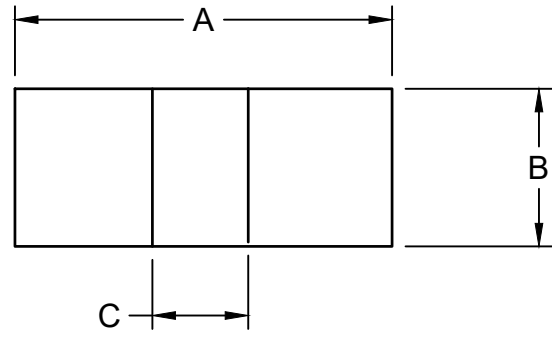




Stock Rotating Electrodes



P/N 2358



P/N 2389, D-2

Part Number	Dim A	Dim B	Dim C	Grade	Purity
2389	.492	.200	.1252/.1258	ST-21	High Purity
2358	.492	.200	.1252/.1258	ST-21	High Purity
D-2	.492	.200	.125	ST-11	High Purity
D-2	.492	.200	.125	ST-21	High Purity
D-2	.492	.200	.125	ST-23	High Purity

All Dimensions are in Inches