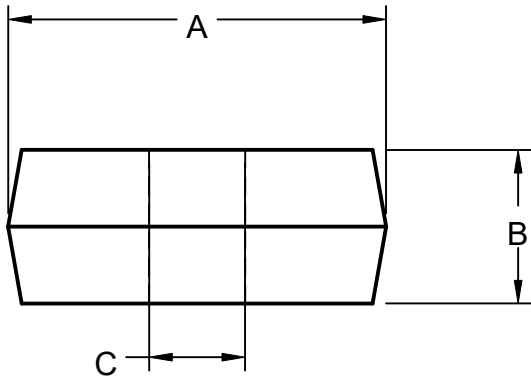
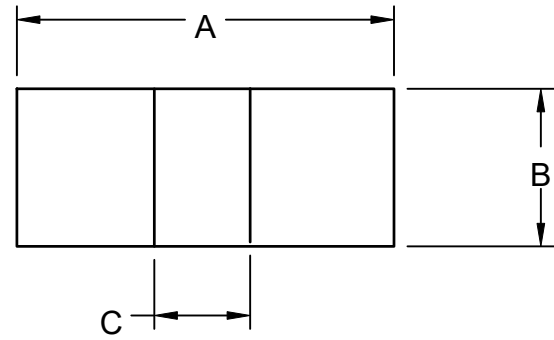




Stock Rotating Electrodes



P/N 2358



P/N 2389, D-2, M8971-1

Part Number	DIM A	DIM B	DIM C	Grade	Purity
D-2	.492	.200	.125	ST-21	High Purity
M8971-1	.492	.200	.125	ST-23	High Purity
D-2	.492	.200	.125	ST-11	High Purity
2358 Robotic	.492	.200	.1252/.1258	ST-21	High Purity
2389 Robotic	.492	.200	.1252/.1258	ST-21	High Purity

All Dimensions are in Inches